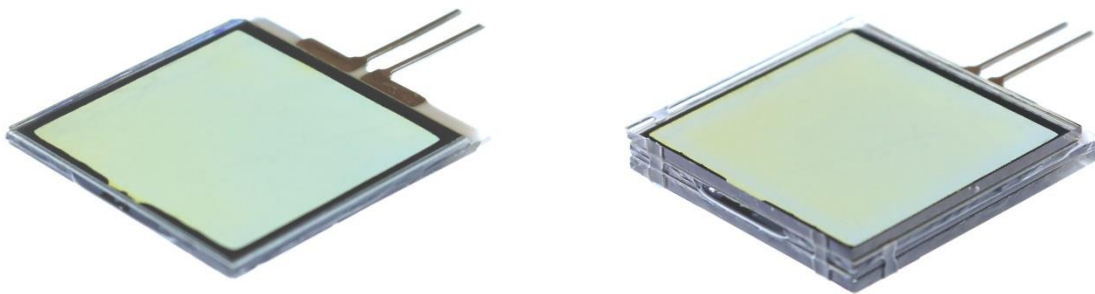


X-FOS(G2)/X-FOS(G2)-AR

PRODUCT SPECIFICATION



Content

1. Revision history	2
2. Product description	2
3. Ordering information	2
4. Custom designing	2
5. General specifications	3
6. Absolute maximum ratings	3
7. Electro-optical specifications.....	3
8. Typical values	4
9. Drive voltage and recommended controller	7
10. Measurement methods and definitions.....	8
11. Mechanical dimensions.....	10
12. Electrical connection and wiring	12
13. Handling precautions	13

1. Revision history

<i>Revision</i>	<i>Revision date</i>	<i>Revision content</i>
Initial release	2013-09-23	-
A	2016-02-15	New standard size 7x8 added. Opening time adjusted.

2. Product description

The X-FOS(G2) (Extra Fast Optical Shutter, 2nd generation) is a liquid crystal (LC)-based optical shutter (variable filter) that controls the light transmittance by an externally applied drive voltage. Compared to conventional mechanical shutters, LC shutters are electro-optical; they contain no moving parts, are completely vibration-free, and have a small footprint.

The shutter consists of a polarization modulator in the form of a LC cell positioned between linear polarizers. Applying the drive voltage reorients the birefringent LC molecules, changing the phase retardation of light passing through the LC cell. This results in a change in transmittance of light passing through the full shutter structure. Analogue gray-scale operation between fully open and closed states is realized by voltage amplitude modulation, allowing the shutter to be used as a variable filter.

The second-generation X-FOS(G2) is the fastest single-cell shutter and differs from the FOS model by having higher switching speeds, both closing and opening. This shutter should be considered for applications in which high-frequency operation between open and closed states is desired.

For demanding optical applications, the X-FOS(G2) can also be supplied with an optical quality, high-efficiency AR cover glass laminated to both sides of the shutter. This configuration minimizes surface reflection, beam deviation, and wavefront aberration, and is especially recommended for imaging applications. The suffix -AR is then added to the model name.

3. Ordering information

<i>Product</i>	<i>Part number</i>	<i>Product</i>	<i>Part number</i>
7x8_X-FOS(G2)	LCT-035	13x15_X-FOS(G2)	LCT-008
7x8_X-FOS(G2)-AR	LCT-036	13x15_X-FOS(G2)-AR	LCT-009
1x1_X-FOS(G2)	LCT-016	D1_X-FOS(G2)	LCT-050
1x1_X-FOS(G2)-AR	LCT-017	D1_X-FOS(G2)-AR	LCT-051
2x2_X-FOS(G2)	LCT-024	D2_X-FOS(G2)	LCT-058
2x2_X-FOS(G2)-AR	LCT-025	D2_X-FOS(G2)-AR	LCT-059
LCC-230 Controller	LCT-030		

To purchase or for more information, please contact us at: info@lc-tec.se or +46 243 79 40 70.

4. Custom designing

Customers not finding their required shutter properties are advised that other FOS models are available and that further optimization and custom designing are possible, both in terms of electro-optical properties and mechanical dimensions (up to 14"x16" size).

5. General specifications

	<i>X-FOS(G2)</i>	<i>X-FOS(G2)-AR</i>
Technology	Nematic LC	Nematic LC
Mode of operation	Normally white	Normally white
Side 1 polarizer transmission axis ¹	+45°	+45°
Side 2 polarizer transmission axis ¹	-45°	-45°
LC cell substrate material	Polished soda lime glass	Polished soda lime glass
Polarizer type and material	Absorptive type polymer	Absorptive type polymer
AR substrate material	N/A	Polished soda lime glass
Scratch resistance	≥3H	N/A

6. Absolute maximum ratings²

	<i>X-FOS(G2)</i>	<i>X-FOS(G2)-AR</i>
Operating temperature ³	-10°C to +60°C	-10°C to +60°C
Storage temperature ³	-30°C to +80°C	-10°C to +60°C
Drive voltage amplitude	≤24V	≤24V
Drive voltage frequency	≤1kHz AC square wave	≤1kHz AC square wave

7. Electro-optical specifications⁴

	<i>X-FOS(G2)</i>	<i>X-FOS(G2)-AR</i>
Open state transmittance ⁵	≥37.5%	≥36.5%
Open state color	u'=0.203 ± 0.01 v'=0.501 ± 0.01	u'=0.203 ± 0.01 v'=0.501 ± 0.01
Contrast	≥1,800:1 @ V _D =18V	≥1,800:1 @ V _D =18V
Angular dependence	Contrast @ V _D =18V ≥ 100:1 -31° ≤ θ ≤ +31° horizontal, -28° ≤ θ ≤ +25° vertical	Contrast @ V _D =18V ≥ 100:1 -31° ≤ θ ≤ +31° horizontal, -28° ≤ θ ≤ +25° vertical
T ₅₀ voltage	2.15V ± 0.2V	2.15V ± 0.2V
Closing time (T ₁₀₀ -T ₁₀)	≤50μs @ V _D =18V	≤50μs @ V _D =18V
Opening time (T ₀ -T ₉₀)	≤1.8ms @ V _D =18V	≤1.8ms @ V _D =18V
Reflectance per surface	≤2%	≤0.5%
Surface quality	N/A	60/40 scratch/dig
Wavefront aberration and MTF	N/A	Available upon request
RMS average power consumption ⁶	≤12mW	≤12mW
Peak current ⁶	≥28mA	≥28mA

¹ Refer to drawing in section 10.5.

² Reliability tests performed over a range of environmental conditions according to standard IEC 61747-5.

³ Dry, no condensation.

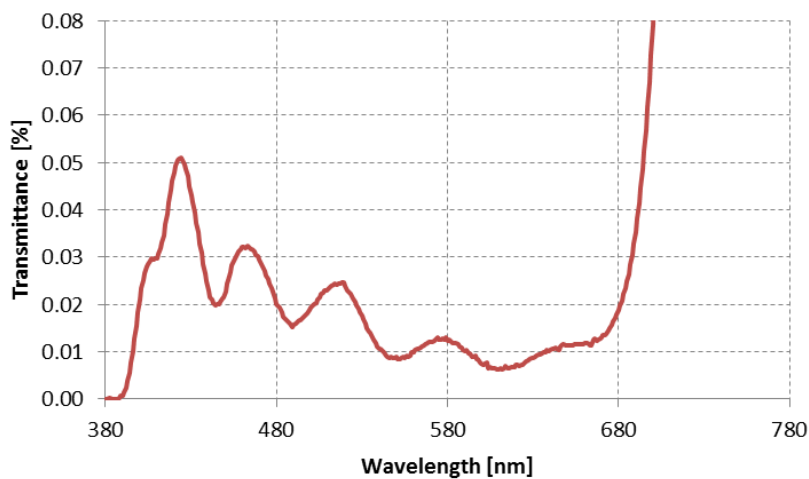
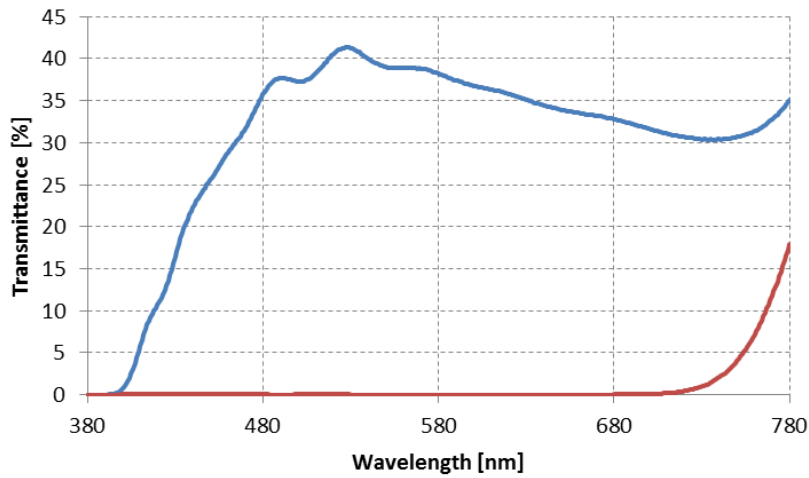
⁴ The specified values are valid for the 1x1 size and measured at room temperature (23°C ± 3°C).

⁵ Refers to unpolarized incident light, the corresponding value for linearly polarized light is significantly higher.

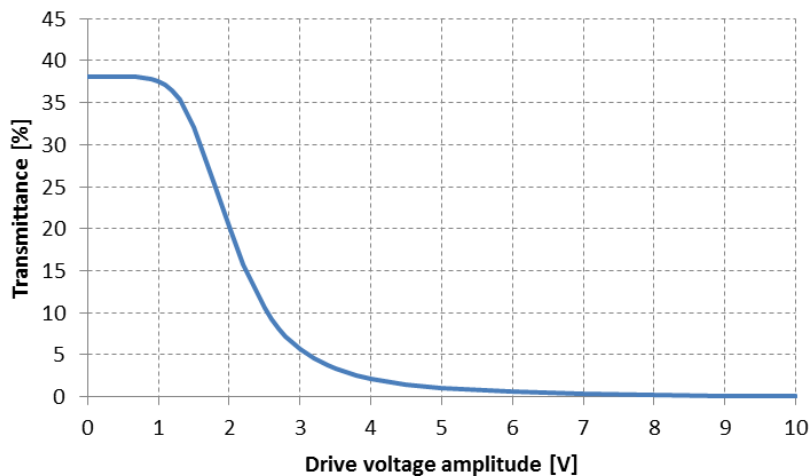
⁶ As measured with f=60Hz, V_D=12V AC square drive waveform with transition slew rate of 3.5V/μs. Actual figures will vary with waveform slew rate, amplitude, frequency, and shutter size. Also see section 9.

8. Typical values (X-FOS(G2) @ room temperature and $V_D=18V$ unless other specified)

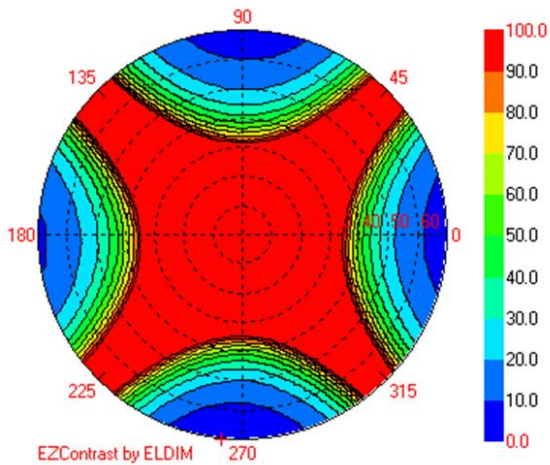
8.1. Open and closed state transmittance vs. wavelength



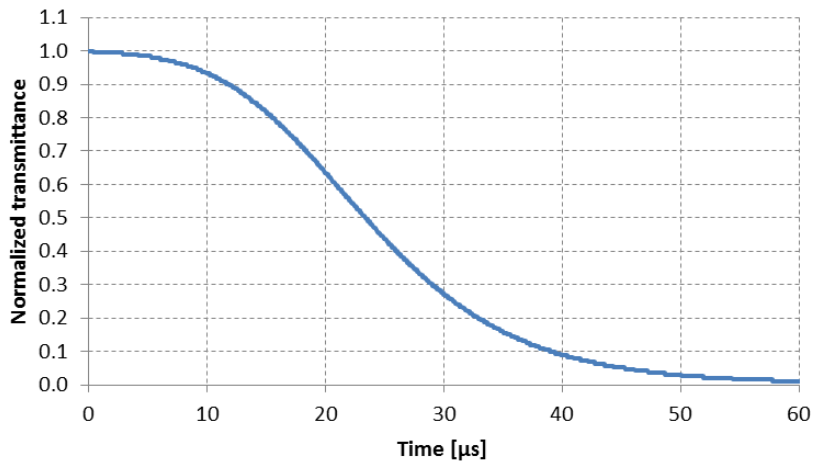
8.2. Transmittance vs. drive voltage amplitude



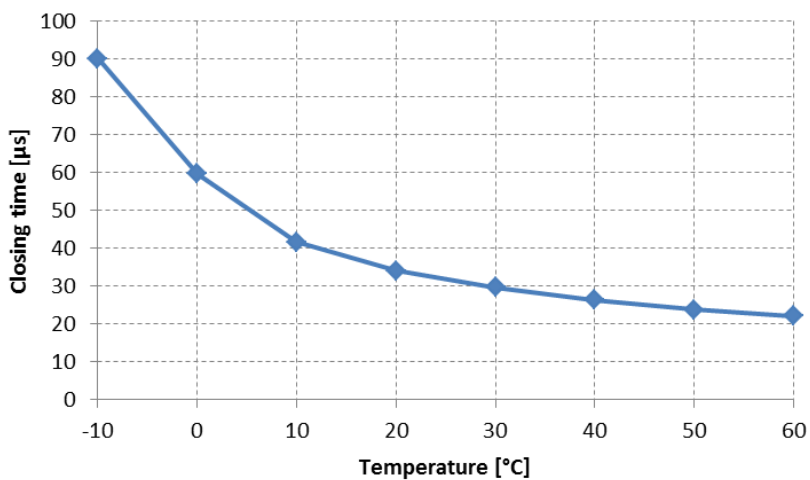
8.3. Contrast vs. angle of observation, side 2 facing the detector (iso-contrast polar plot, inner line corresponding to 100:1)



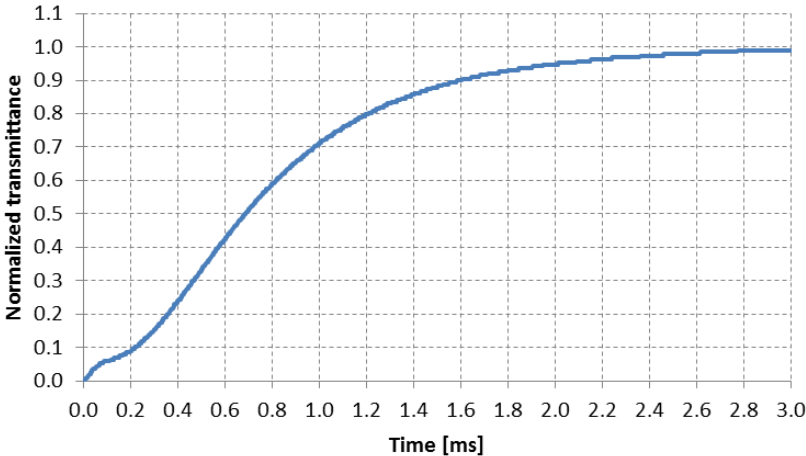
8.4. Closing time at room temperature, normalized transmittance vs. time



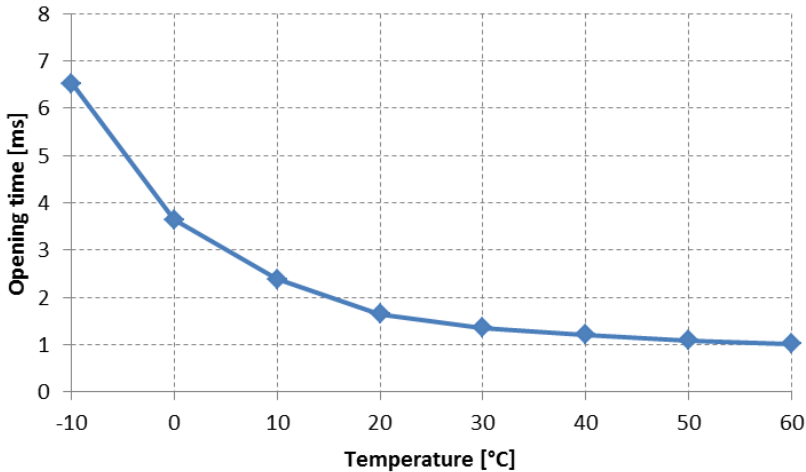
8.5. Closing time vs. temperature



8.6. Opening time at room temperature, normalized transmittance vs. time



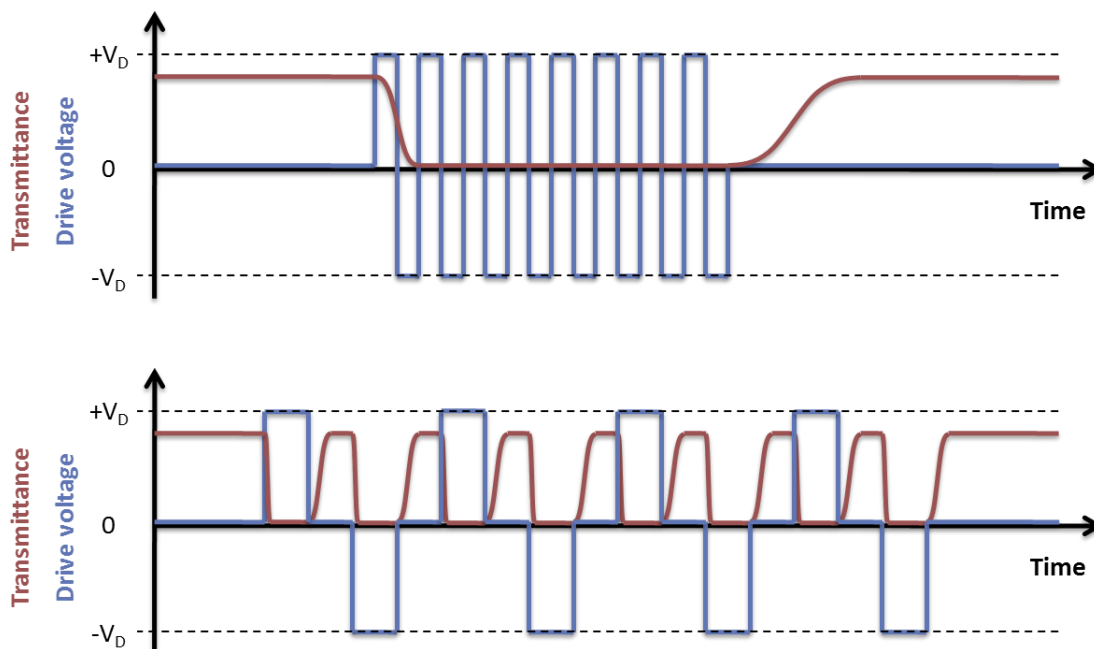
8.7. Opening time vs. temperature



9. Drive voltage and recommended controller

The shutter possesses mono-stable normally white operation, meaning that without voltage applied the shutter is in its fully open, light-transmitting state. Applying the drive voltage, V_D , switches it to a closed, light-absorbing state. This voltage must be kept throughout the duration of the time the shutter is required to be in the closed state. In general, increasing the drive voltage amplitude increases the contrast and shortens the closing time.

The transmittance of the shutter reacts to the RMS voltage. In order to prevent ion migration within the LC layer that might impair shutter performance and lifetime, it is recommended to ensure that there is no net DC bias present in the drive signal. This is best achieved via use of one of the two AC square waveforms illustrated below. When the top alternative is used, the **recommended minimum frequency is 60Hz** if visual flicker is to be avoided. The bottom option is suitable when cycled operation between open and closed states is desired.



The LCC-230 (*LC-Tec Part number LCT-030*) is a flexible, full-featured liquid crystal controller specifically designed to drive all FOS, X-FOS, PolarSpeed®, and PolarView® models (but not the FSD, requiring high-voltage driving). The LCC-230 incorporates two independent LC channels, each with 30V_{RMS} of range and fully short-circuit protected. The controller is operated by the LCDriver2 application via a full-speed USB 2.0 compliant interface. LCDriver2 permits dynamic editing of programs up to 96 lines in length. Three trigger modes (internal, line, program) determine how program lines are executed. Up to nine programs may also be pre-stored on the LCC-230 for stand-alone operation. See user manual for further information.

Note: Customer-developed LC drive stages must be able to deliver at least the peak current of the specific FOS device to be driven. Output-stage ballast capacitors with a maximum ripple current rating at least three times the peak current is recommended.

10. Measurement methods and definitions

10.1. Transmittance, color, and contrast

The transmittance is defined as the luminous transmittance of collimated unpolarized light passing perpendicularly through the shutter according to:

$$T = \frac{\int_{380}^{780} T(\lambda)D(\lambda)P(\lambda)d\lambda}{\int_{380}^{780} D(\lambda)P(\lambda)d\lambda}$$

where $T(\lambda)$ is the transmittance function of the shutter, $D(\lambda)$ is the illuminant spectral distribution, and $P(\lambda)$ is the photopic response of the human eye. All transmittance values specified are based on the standard illuminant **CIE E** (equal-energy for all wavelengths). The corresponding color is mathematically described using the color matching functions of the CIE 1931 Standard Colorimetric Observer, and is represented by a point in the u',v' chromaticity coordinate system.

The contrast is defined as the ratio of the transmittance of the open field-off state to that of the closed field-on state according to:

$$C = \frac{T_{open}(V=0)}{T_{closed}(V=V_D)}$$

Since the transmittance depends on applied drive voltage, also the contrast is a function of the voltage and usually increases with increasing amplitude.

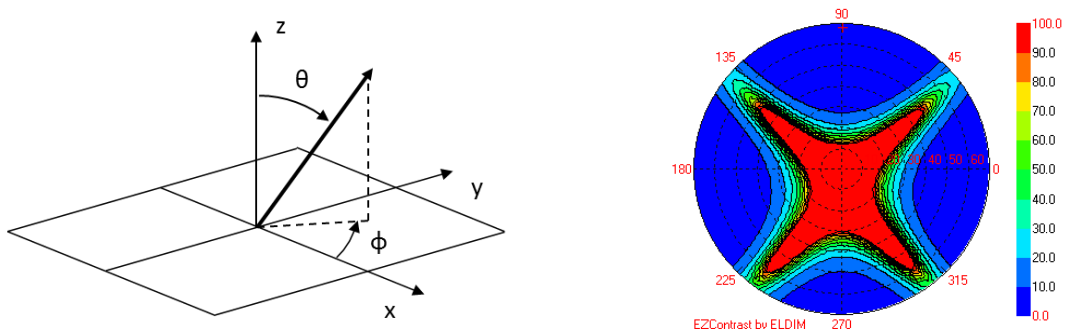
10.2. Angular dependence

The transmittance is not only a function of light wavelength and applied drive voltage. Since the phase retardation induced by the LC cell also depends on the angle between the direction of light and the long axis of the LC molecules, the transmittance of the shutter can for a given angle of incidence be described by:

$$T = T(\theta, \phi, \lambda, V_D)$$

where θ is the polar angle between the light exit direction and the normal vector to the surface, and ϕ is the azimuth angle of the light exit direction as specified below.

The angular dependence of the transmittance or of the contrast between the open and closed states in diffuse light is often illustrated in a so-called polar plot as shown below. Iso-transmittance or iso-contrast lines describe the transmittance or contrast values at various angles. The center of the plot corresponds to light exiting perpendicularly from the shutter surface.



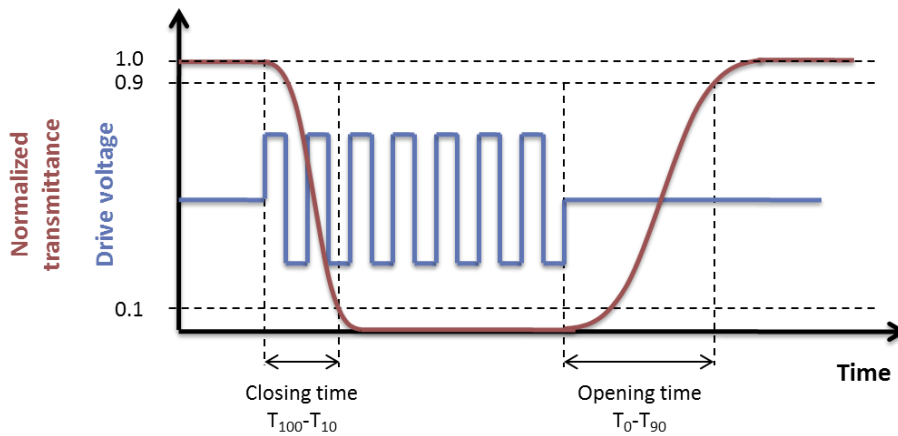
10.3. T_{50} voltage

The T_{50} voltage represents the point on the transmittance vs. applied drive voltage curve where the shutter is switched midway between closed and open states, i.e. the voltage that corresponds to a transmittance level (gray level) of 50% of the normalized open state transmittance.

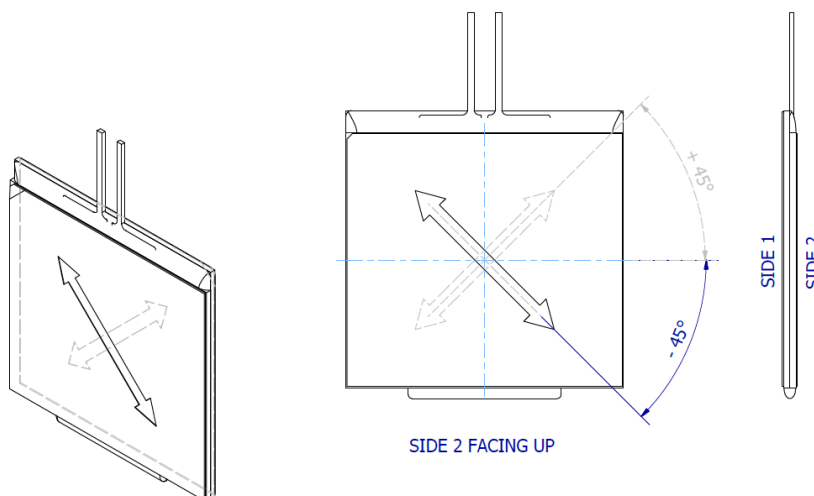
10.4. Switching times

Two switching times are associated with the shutter. The time for closing the shutter, closing time (also called response time or t_{on} time), is defined as the time it takes for the shutter to switch from 100% to 10% ($T_{100}-T_{10}$) of its static open transmittance after the drive voltage is applied. The closing time usually decreases with increasing drive voltage amplitude and increasing temperature.

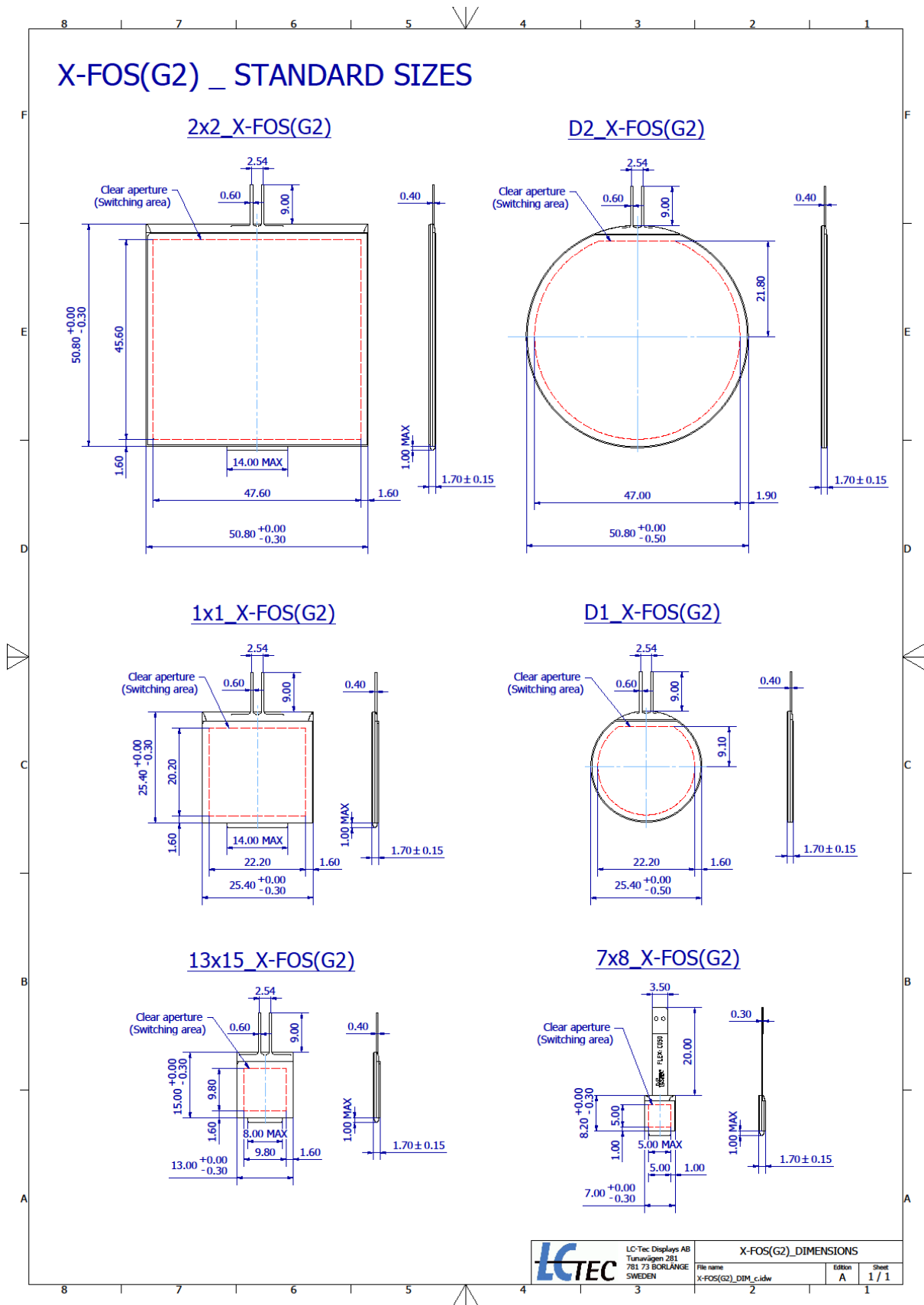
The corresponding time for opening the shutter, opening time (also called relaxation time or t_{off} time), is defined as the time it takes for the shutter to switch from 0% to 90% (T_0-T_{90}) of its static open transmittance after the drive voltage is switched off. The opening time is less dependent of the drive voltage amplitude, but decreases with increasing temperature.



10.5. Polarizer transmission axis



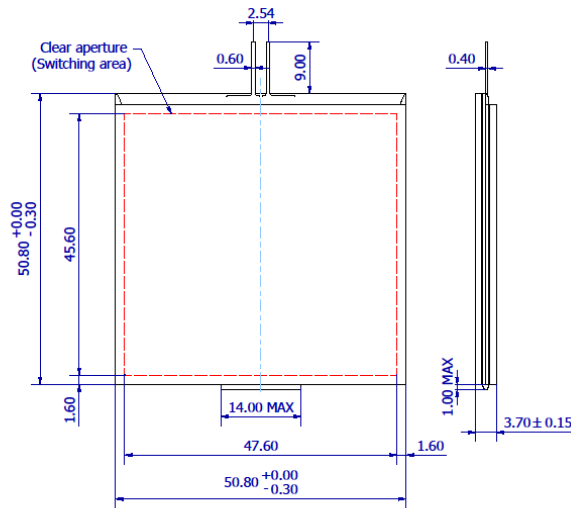
11. Mechanical dimensions⁷



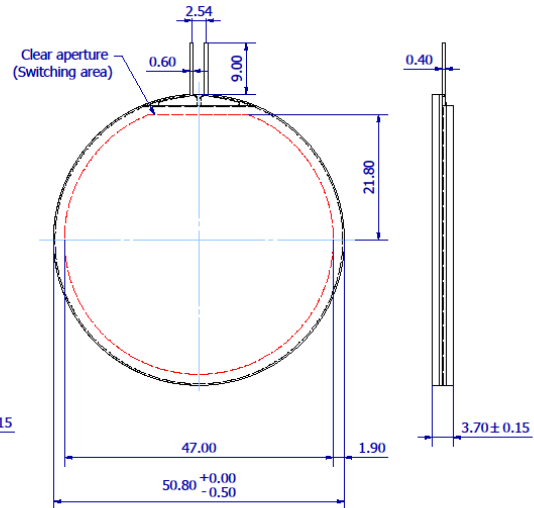
⁷ Refers to available standard sizes. Custom designing up to 14" x 16" size is offered.

X-FOS(G2)-AR _ STANDARD SIZES

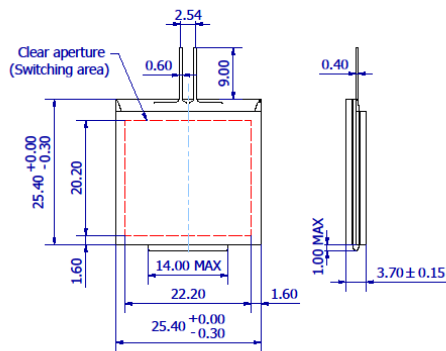
2x2_X-FOS(G2)-AR



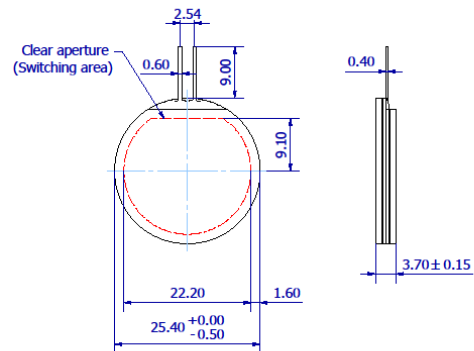
D2_X-FOS(G2)-AR



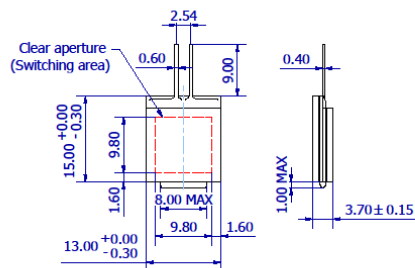
1x1_X-FOS(G2)-AR



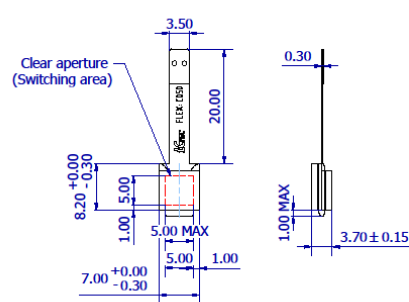
D1_X-FOS(G2)-AR



13x15_X-FOS(G2)-AR



7x8_X-FOS(G2)-AR



	LC-Tec Displays AB Tunavägen 291 781 73 BORLÅNGE SWEDEN	X-FOS(G2)-AR_DIMENSIONS	
	File name X-FOS(G2)-AR_DIM_cidw	Edition A	Sheet 1 / 1

12. Electrical connection and wiring

The desired waveform should be applied to the shutter via the connectors present on the LC cell. The larger shutter sizes, from 13x15 and up (13x15, 1x1, 2x2, D1, and D2), are supplied with contact pins as standard as illustrated in the mechanical dimensions drawings. The pin design is compatible with readily available 2.54mm pitch connectors (for example Molex Part Number 90123-0102). Customers can also solder wires to the pins, alternatively connect them directly to a dedicated printed circuit board (PCB) if desired.

The smaller 7x8 size is supplied with a flexible flat cable (FFC) as standard as illustrated in the mechanical dimensions drawings. The cable design is compatible with readily available FFC/FPC connectors (for example Molex Part Number 503480-0600, 52746-0671, and 52745-0697). Customers can also solder wires to the FFC.

Custom designed connector solutions, including variations of pins, FFC, and wires, can be provided upon request.

13. Handling precautions

The following provides recommendations for handling of this product.

LC shutter handling and cleaning precautions

- A protective film is supplied on both sides of the shutter and should be left in place until the shutter is required for operation.
- Even though the polarizers have a hard-coating on the outer surface, please guard against scratching, do not rub with abrasives.
- The -AR version has an optical quality, high-efficiency AR cover glass laminated to both sides of the shutter, please guard against scratching, do not rub with abrasives.
- Keep the shutter surface clean. Do not touch without protective gloves.
- Should the surface become contaminated, wipe lightly with a soft cloth moistened with solvent (isopropyl alcohol or ethyl alcohol) in order to clean the shutter surface.
- Do not wipe the shutter surface with dry or hard materials that may damage the surface. Do not use the following solvents for cleaning: water, aromatics, acetone or other ketone.
- Since this shutter contains glass substrates, avoid applying mechanical shock or pressure. Do not drop, bend, twist or press on the shutter.

Storage

- Avoid exposure to direct sunlight or high temperature and humidity. Recommended storage conditions: temperature range +5°C to +45°C with humidity <60%RH.
- Do not store the shutter near organic solvents or corrosive gases.
- Keep the shutter protected from vibration, shock, and pressure.

Operating precautions

- It is important to operate the shutter within the specified voltage limits; higher voltages may significantly reduce the lifetime of the shutter.
- The use of direct current drive (DC voltage) should be avoided since a reaction stimulated by such current significantly reduces the lifetime of the shutter.
- The switching speed of the shutter will be reduced at lower temperatures, and the shutter will show a dark color at higher temperatures. However, the shutter will revert to normal operation once the temperature conditions return to the range for normal operation.

Safety

- Should the shutter become damaged and the skin is exposed to liquid crystal material, it is recommended to immediately wash off the liquid crystal material using soap and water.
- If the liquid crystal material should come into contact with the eye, flush the eye using running water for at least five minutes. Seek medical advice.